

SCHELL MONTUS WC MOUNTING MODULE - INFRARED FLUSH



HEALTHCARE



COMMERCIAL



EDUCATION



HOTEL & LEISURE

PRODUCT INFORMATION

030760099	Schell Montus wc mounting module (min press. 1.2 bar)
030710099	Wall mounting bracket set
010162899	Schell Edition E - WC control with battery or mains options

Required associated item for 010162899

015570099 SCHELL universal battery compartment 6V

Or:

013150099 SCHELL concealed transformer 100-240 V, 50-60Hz, 9V

SPECIFICATIONS

Flush volume 4.5/6/9L
Range : adjustable
Operating voltage 110 - 240 V; 50 - 60 Hz, 12 V with mains power / 4 x LR6-AA-1,5 alkaline
Solenoid valve 6 V
Flow pressure 1,2 – 5 bar
Flush rate max. 1 - 1,3 l/s acc. to DIN EN 12541
Noise class Class I, DIN 4109

MATERIAL

Front panel Stainless Steel

COLOUR/FINISH

Satin

MANUFACTURER

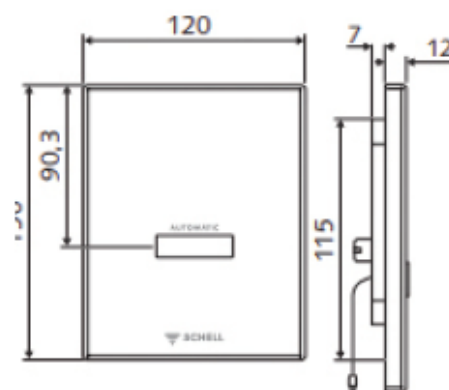
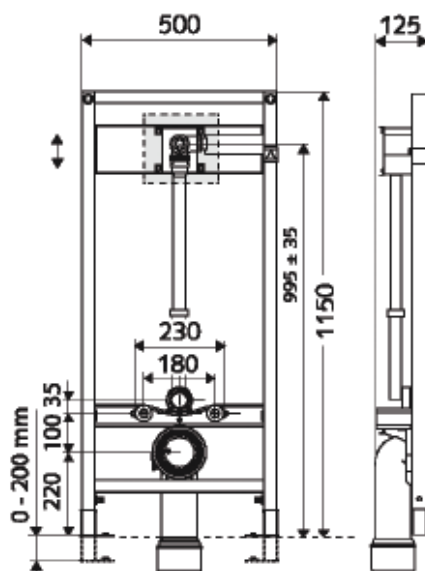
SCHELL

PRODUCT DIMENSIONS

See technical drawing

ADDITIONAL INFORMATION

All 3 components are used as a set



010162899

All measurements shown are in millimetres.
Drawing sizes are not to scale. Measurement accuracy ± 5 mm