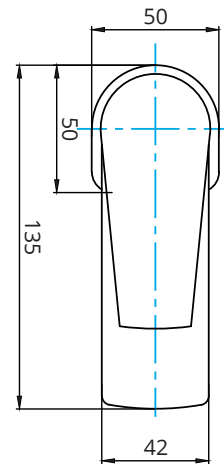
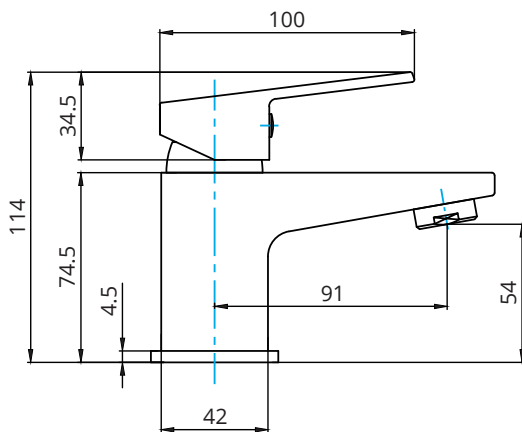


## NEO

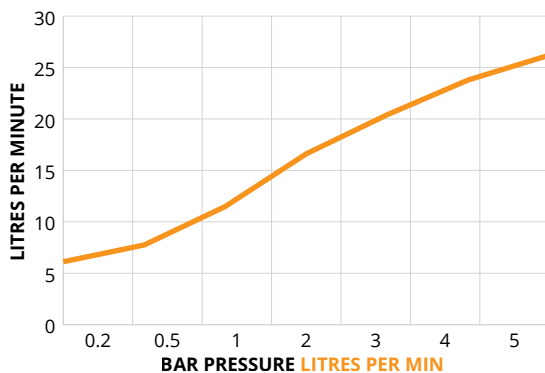
### Chrome Cloakroom Basin Mixer

Waste Included

<b>CODE</b>	UBR0102
<b>MATERIAL</b>	Brass
<b>FIXINGS</b>	Deck mounted using back nuts provided
<b>STANDARDS</b>	EN817:2018, EN13618:2016



FLOW RATES OPEN OUTLET



Bar	Litres per min
0.2	6.12
0.5	7.75
1	11.49
2	16.61
3	20.41
4	23.79
5	26.20