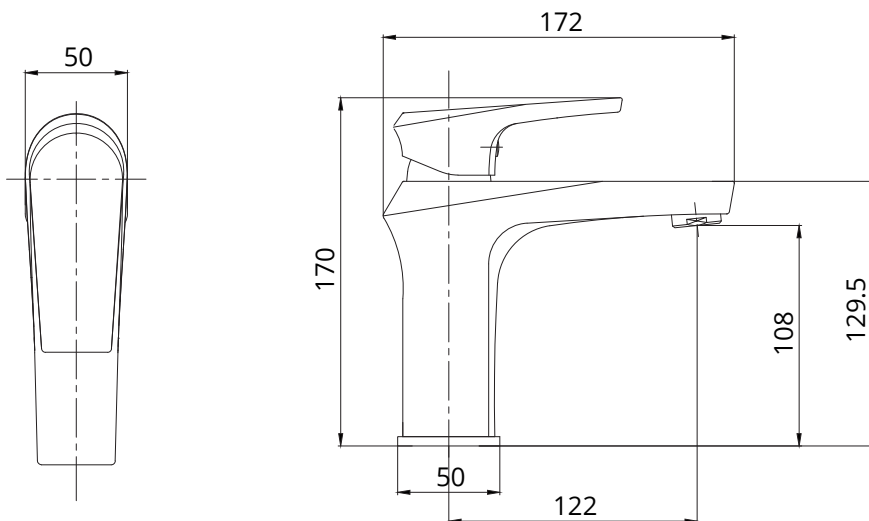


## HORLEY

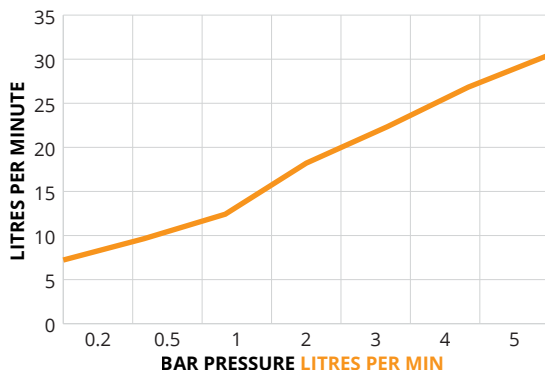
### Basin Mixer

Waste Included

<b>CODE</b>	UBR0092
<b>MATERIAL</b>	Brass
<b>FIXINGS</b>	Deck mounted using back nuts provided
<b>STANDARDS</b>	EN817:2018, EN13618:2016



FLOW RATES OPEN OUTLET



Bar	Litres per min
0.2	7.22
0.5	9.65
1	12.42
2	18.21
3	22.34
4	26.83
5	30.48