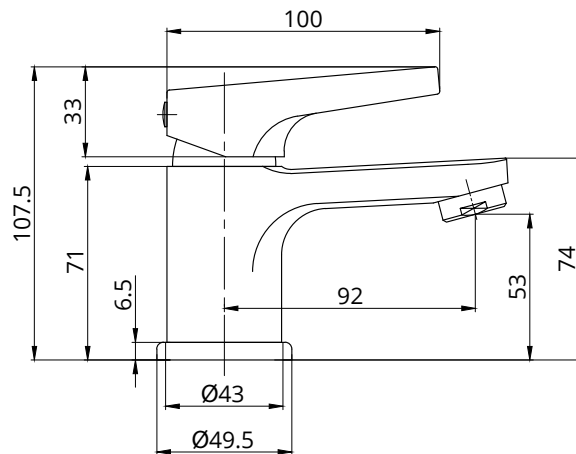
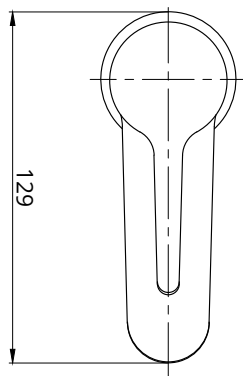


## TORC

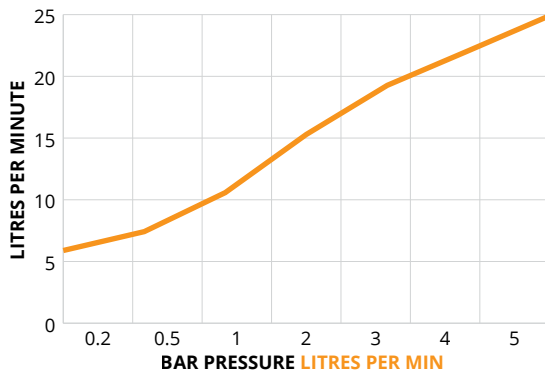
### Cloakroom Basin Mixer

Waste Included

<b>CODE</b>	UBR0104
<b>MATERIAL</b>	Brass
<b>FIXINGS</b>	Deck mounted using back nuts provided
<b>STANDARDS</b>	EN817:2018, EN13618:2016



FLOW RATES OPEN OUTLET



Bar	Litres per min
0.2	5.89
0.5	7.42
1	10.58
2	15.29
3	19.27
4	22.07
5	24.90