

PADDED DOC M SHOWER SEAT



SPECIAL NEEDS



HEALTHCARE



COMMERCIAL



EDUCATION

PRODUCT INFORMATION

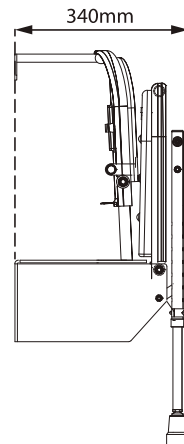
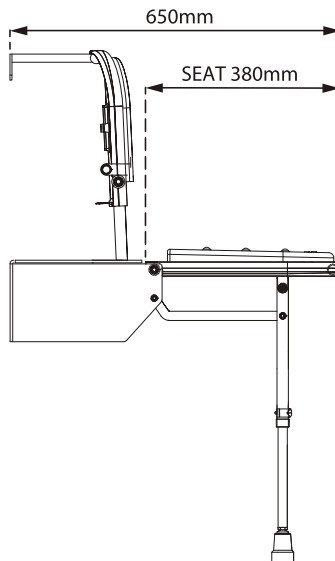
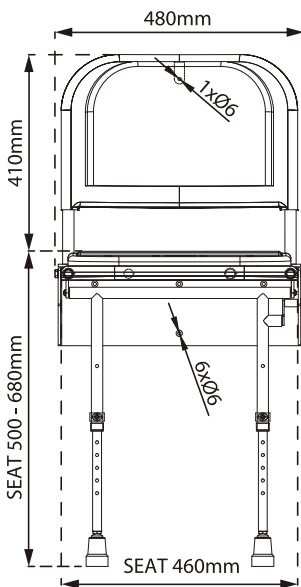
SB-085/DB	Padded Doc M shower seat with legs, white frame, dark blue pad
SB-085/GY	Padded Doc M shower seat with legs, white frame, grey pad

SPECIFICATIONS

Extended projection to enable easy slide transfer
 Closed cell polyurethane pads for maximum hygiene and comfort
 Height adjustable
 Doc M Compliant
 Max rated load - 250Kg

MATERIAL	Non corrosive aluminium & stainless steel frame
COLOUR/FINISH	Dark Blue, Grey
MANUFACTURER	Nymas
FIXING	Screw to wall
APPROVALS	Doc M compliant

PRODUCT DIMENSIONS See technical drawing



- Height adjustable with E-clip in 25mm increments and thread for further fine adjustment