

ELIZABETH SHOWER KIT 1



PRODUCT INFORMATION

ET1201RIG

Elizabeth traditional shower kit 1

SPECIFICATIONS

Includes:

thermostatic shower valve
dual control
traditional exposed
fixed riser
hanset
4 inch traditional shower head
Minimum operating pressure 0.5 bar
Maximum operating pressure 5 bar

MATERIAL COLOUR/FINISH APPROVALS

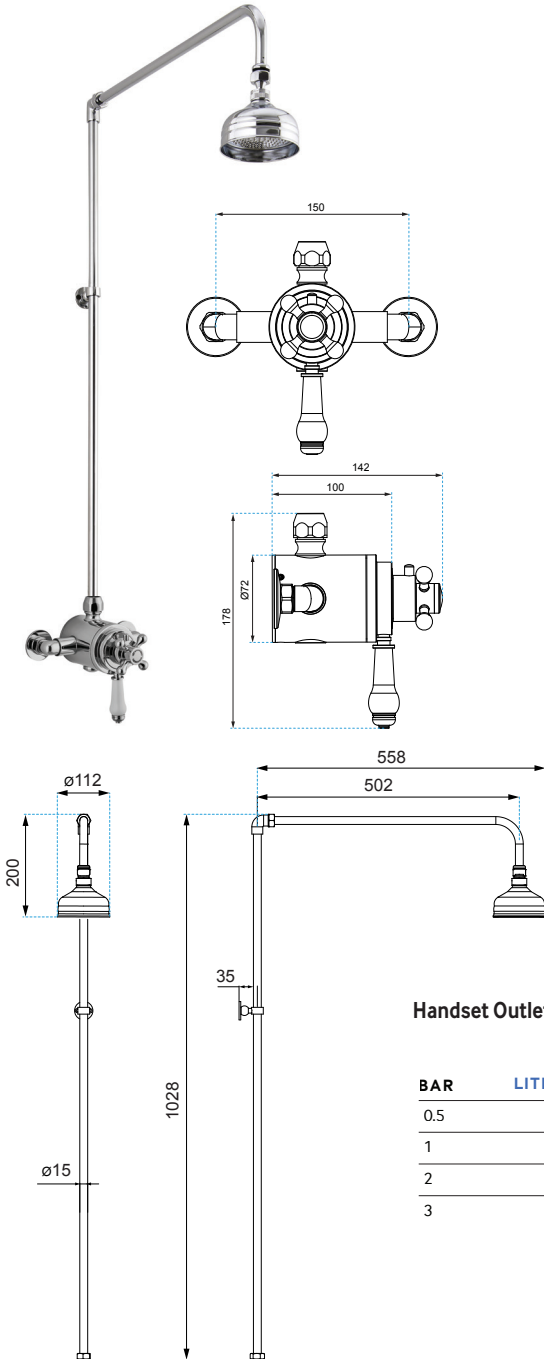
Brass
Chrome
This product should be fitted in accordance with relevant *Water Byelaw Regulations*

FIXING

Wall mounted using fittings provided (*do not overtighten*)

PRODUCT DIMENSIONS ADDITIONAL INFORMATION

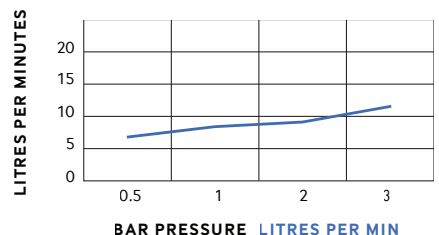
Please refer to technical line drawing
Suitable for the following plumbing systems: Gravity fed, pumped, unvented or combi systems.
For a full range of brassware products please refer to www.sonasbathrooms.com



Handset Outlet

BAR	LITRES PER MIN
0.5	6
1	7.4
2	9.5
3	11.3

FLOW RATES OPEN OUTLET



WARRANTY

- 5 year warranty** on showers applies to chrome finish and main body of products. All surfaces must be cleaned with warm soapy water and dried with soft clothes only. The use of abrasive cleaners or materials will render *warranty invalid*.
- Warranty excludes** perishable items such as thermostatic cartridges, hoses, hand showers and washers, which are covered by a *2 year warranty*.
- Suitable access should be provided for in order for products or parts to be replaced under warranty. In the event that *no access* is provided, labour cost claims *cannot* be upheld.