

TRADITIONAL LEVER BATH TAPS (PAIR)



PRODUCT INFORMATION

MYKTL002

Traditional Lever Bath Taps (Pair)

MATERIAL

Brass

COLOUR/FINISH

Chrome & White

FIXING

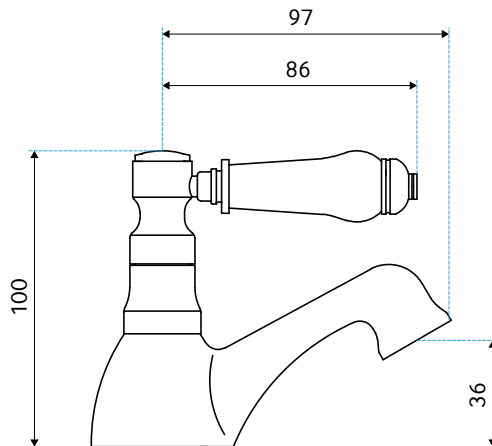
Base Bracket Supplied

ADDITIONAL INFORMATION

For additional support, please contact us:

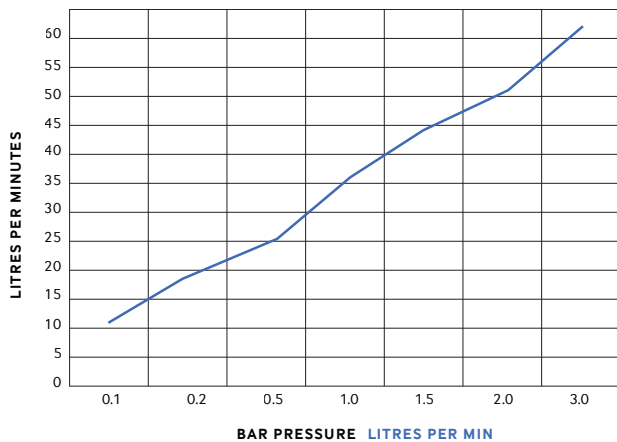
t +353 1 817 9755

e customersupport@sonasbathrooms.com



FLOW RATES OPEN OUTLET

BAR	LITRES PER MIN
0.1	12.8
0.2	17
0.5	26
1.0	36.4
1.5	44.6
2.0	51.6
3.0	62.8



WARRANTY

- **5 year warranty** on taps applies to chrome finish and main body of products. All surfaces must be cleaned with warm soapy water and dried with soft cloths only. The use of abrasive cleaners or materials will render *warranty invalid*. Flexible tail connections, hoses and handsets are covered by a **2 year guarantee**. Spindles.
- **Do not over tighten** flexible tail connections as this may result in later failure of the fitting.
- To enable each supply to be individually isolated product should be fitted with individual isolating valves, claims will be dealt with on that basis.
- Suitable access should be provided for in order for products or parts to be replaced under warranty. In the event that *no access* is provided, labour cost claims cannot be upheld.