

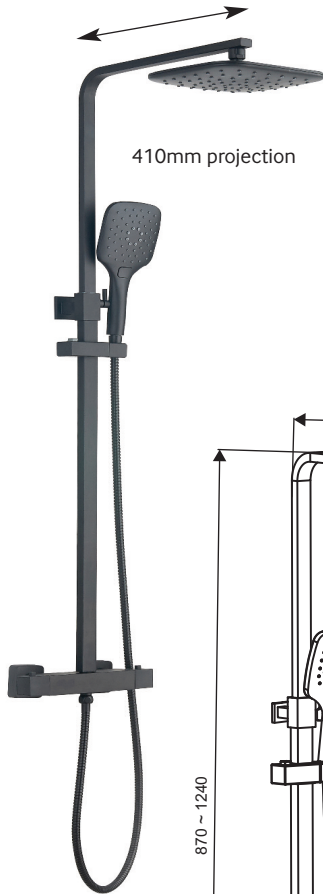
NERO BLACK SQUARE THERMOSTATIC SHOWER KIT



DOMESTIC



HOTEL & LEISURE



410mm projection

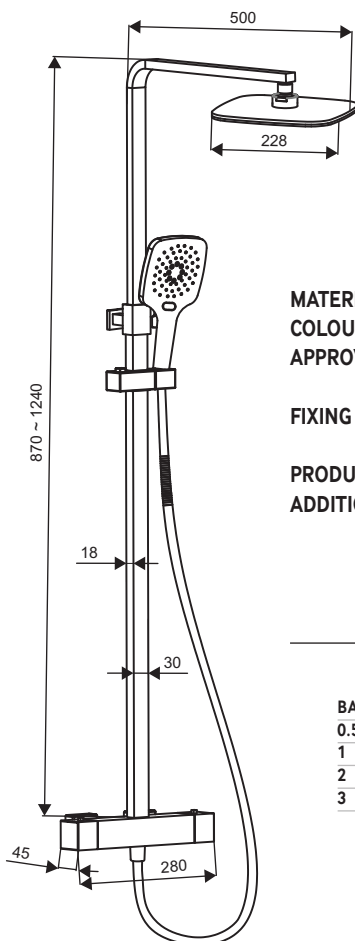
PRODUCT INFORMATION

USH0004

NERO Black Square Thermostatic Shower Kit
3 function push button handset
250mm rainhead, 1.5m hose

SPECIFICATIONS

High pressure system only
Exposed valve
Fast Fix brackets supplied
Max water temp: 65 deg
Max water pressure: 5 bar
Minimum operating pressure 0.5 bar
Dual outlet
Pipe centres: 150mm



MATERIAL
COLOUR/FINISH
APPROVALS

Brass
Matt black
This product should be fitted in accordance with relevant *Water Byelaw Regulations*

FIXING

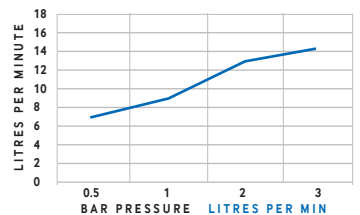
Wall mounted using fittings provided
(do not overtighten)

PRODUCT DIMENSIONS
ADDITIONAL INFORMATION

Please refer to technical line drawing
Suitable for the following plumbing systems:
Gravity fed, pumped, unvented or combi boiler systems.
For a full range of brassware products please refer to www.sonasbathrooms.com

BAR	LITRES PER MIN.
0.5	7.3
1	9.1
2	13.00
3	13.92

NERO SQUARE FLOW RATES OPEN OUTLET



WARRANTY

- **2 year warranty** on showers applies to finish and main body of products, thermostatic cartridges, hoses, hand showers and washer.
All surfaces must be cleaned with warm soapy water and dried with soft clothes only. The use of abrasive cleaners or materials will render *warranty invalid*.
- Suitable access should be provided for in order for products or parts to be replaced under warranty. In the event that *no access* is provided, labour cost claims *cannot* be upheld.