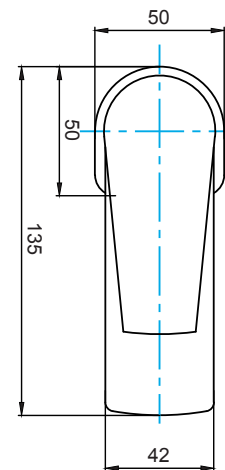
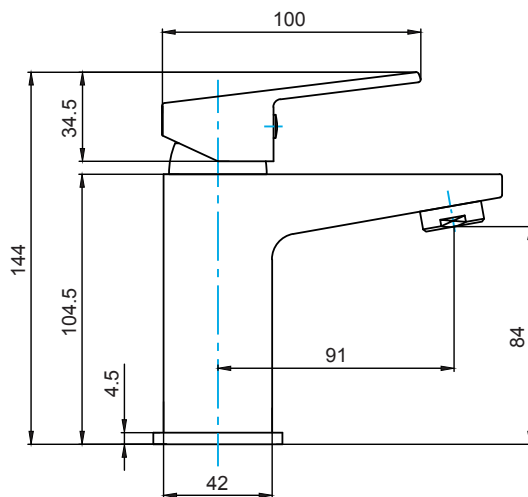


## NEO

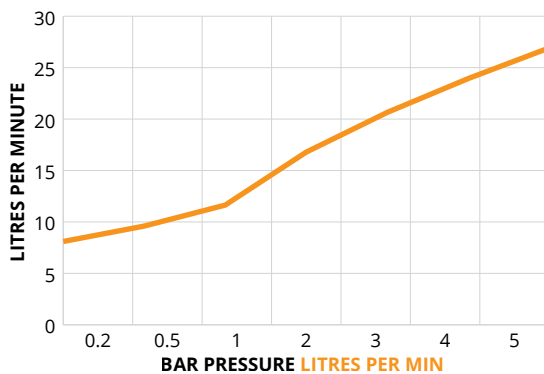
### Chrome Basin Mixer

Waste Included

<b>CODE</b>	UBR0101
<b>MATERIAL</b>	Brass
<b>FIXINGS</b>	Deck mounted using back nuts provided
<b>STANDARDS</b>	EN817:2018, EN13618:2016



#### FLOW RATES OPEN OUTLET



Bar	Litres per min
0.2	8.1
0.5	9.6
1	11.64
2	16.79
3	20.65
4	23.94
5	26.92