

TORC

Basin Mixer

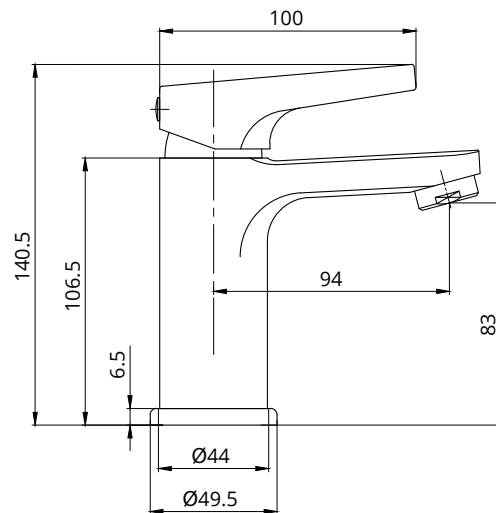
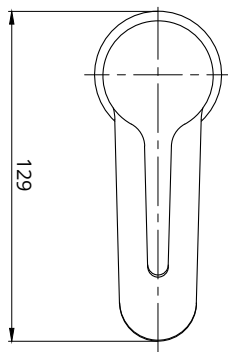
Waste Included

CODE UBR0103

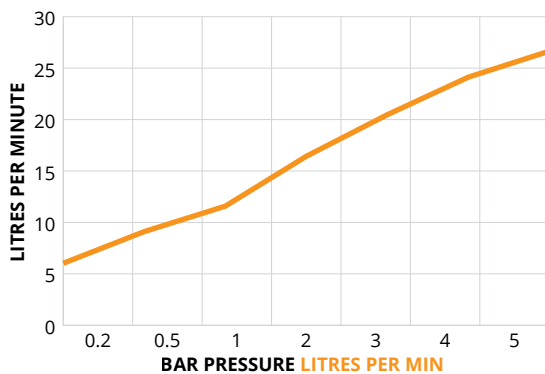
MATERIAL Brass

FIXINGS Deck mounted using back nuts provided

STANDARDS EN817:2018, EN13618:2016



FLOW RATES OPEN OUTLET



Bar	Litres per min
0.2	6.03
0.5	9.11
1	11.58
2	16.43
3	20.47
4	24.12
5	26.65