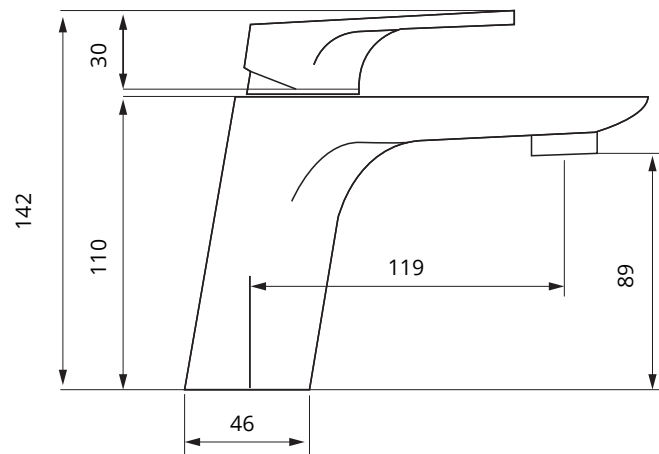


JASMIN

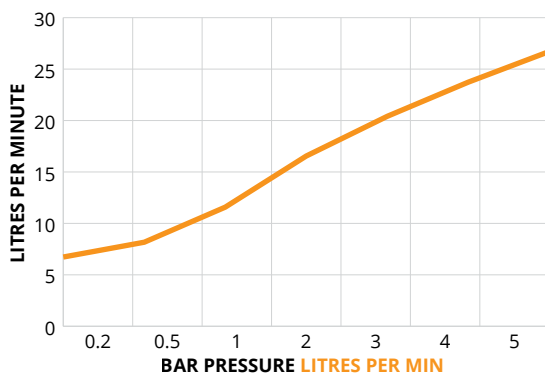
Chrome Basin Mixer

Waste Included

CODE	UBR0099
MATERIAL	Brass
FIXINGS	Deck mounted using back nuts provided
STANDARDS	EN817:2018, EN13618:2016



FLOW RATES OPEN OUTLET



Bar	Litres per min
0.2	6.73
0.5	8.17
1	11.58
2	16.55
3	20.41
4	23.73
5	26.71