

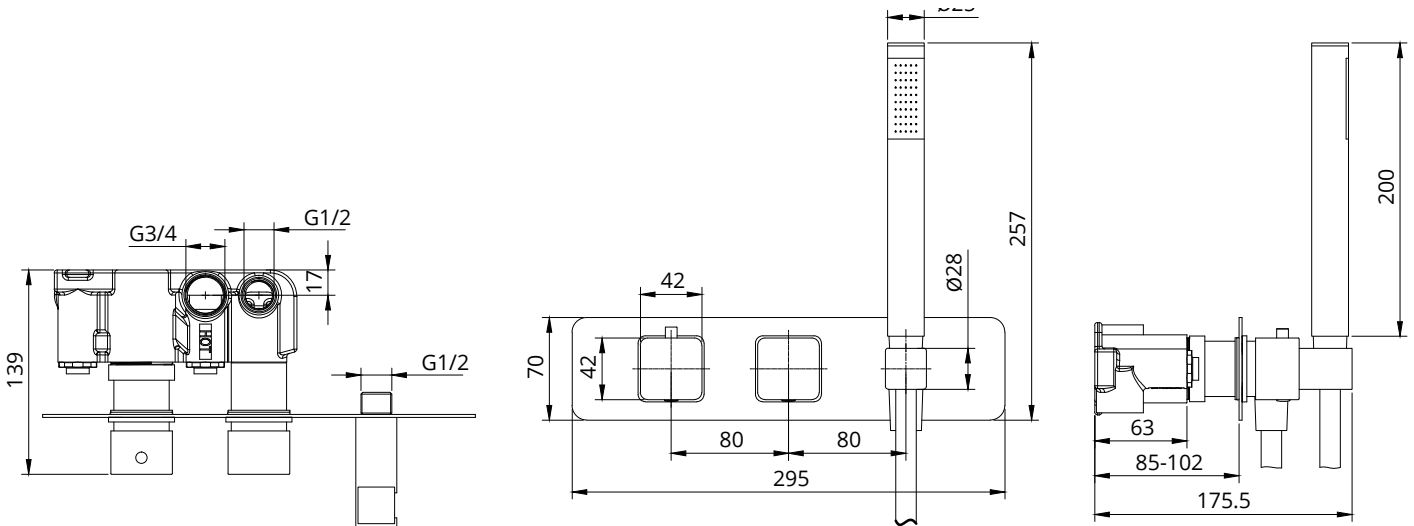
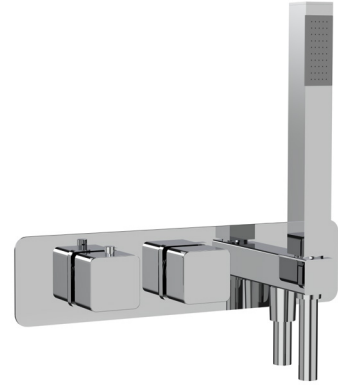
ALITA

Square Handset & Horizontal Dual Control
Concealed Thermostatic Shower Valve

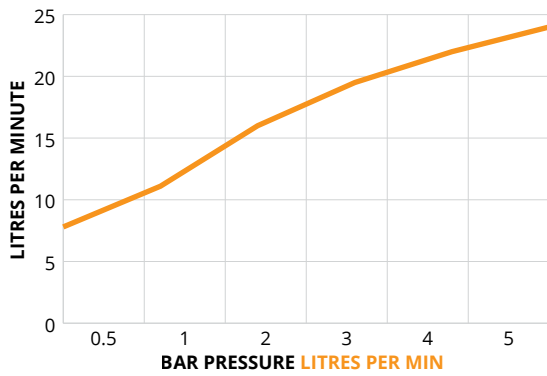
CODE USH0019

MATERIAL Brass

APPROVALS EN-1111-2017



FLOW RATES OPEN OUTLET



Bar	Litres per min
0.5	7.8
1	11.1
2	16
3	19.5
4	22
5	24