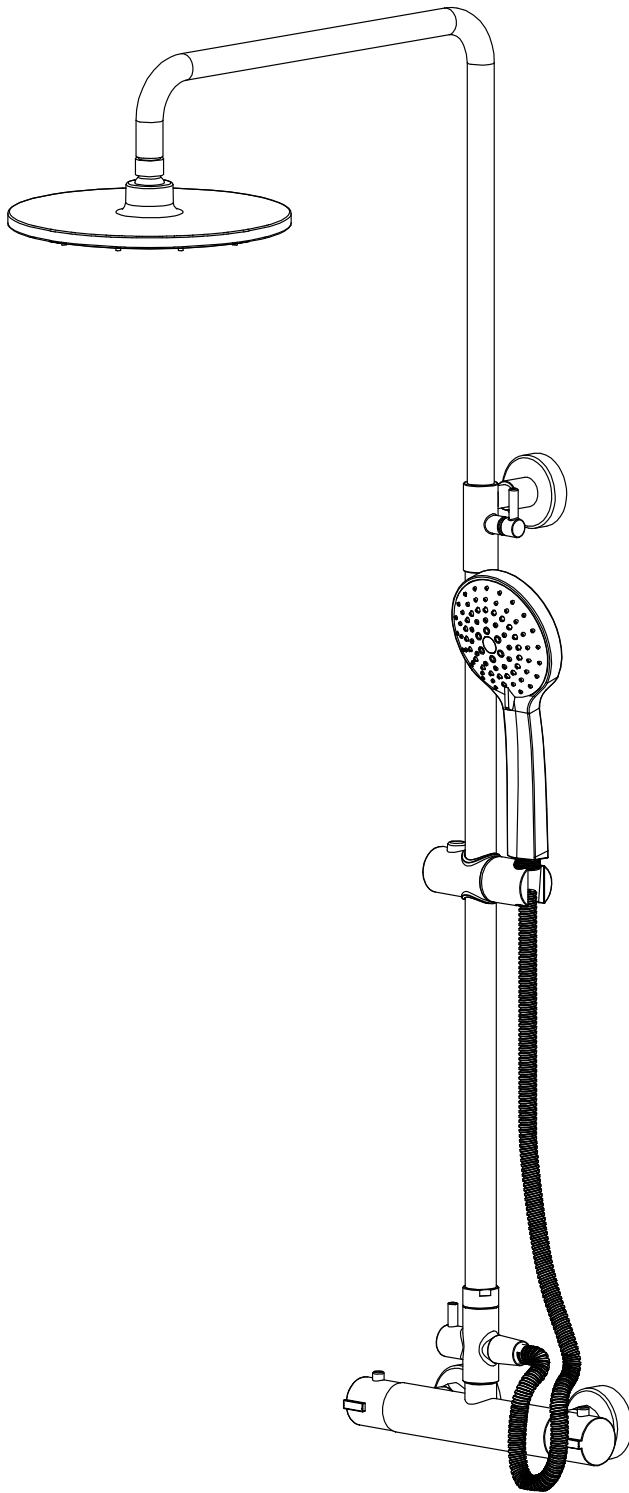


SONAS
BATHROOMS

INSTALLATION INSTRUCTIONS



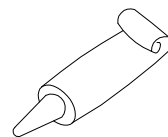
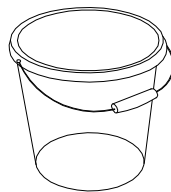
Before Installation

- We recommend that this product is installed a qualified professional plumber /contractor.
- Please check this product immediately to ensure that it has not been damaged and is complete. Before installation,please sure this the correct model and you have all the parts required for installation and using.
- Please flush the water system to ensure that no metal swarf,solder,and other impurities can enter the taps.
- Turn off water supply before commencing work.this should be dome at the isolating valves of inlet feeds if fitted or main stopcock.
- Please read these instructions carefully and keep it for future reference.

TOOLS you may need



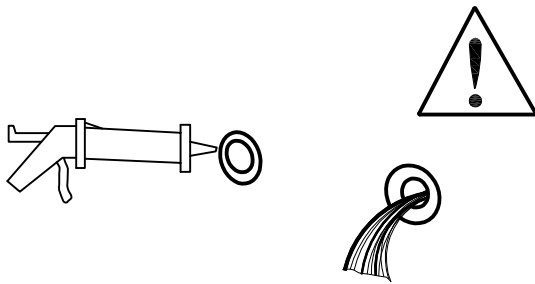
X2



Phillip screwdriver Adijustable wrench Bucket Silicone sealant Pipe tape

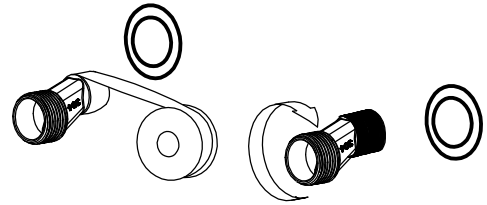
Installation

1



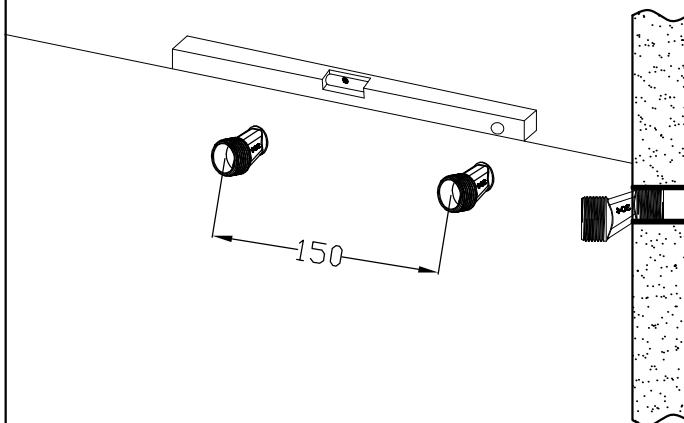
Fill the gap between wall and hole with silicone, Turn on the valve and allow the water to run freely for 5 minutes. Then turn off the valve.

2



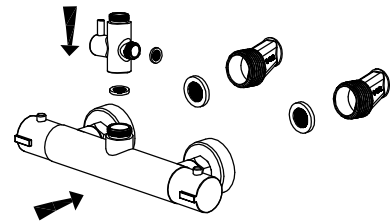
Wrap the bended connector with Teflon tapes. Then twist it into the outlet hole.

3



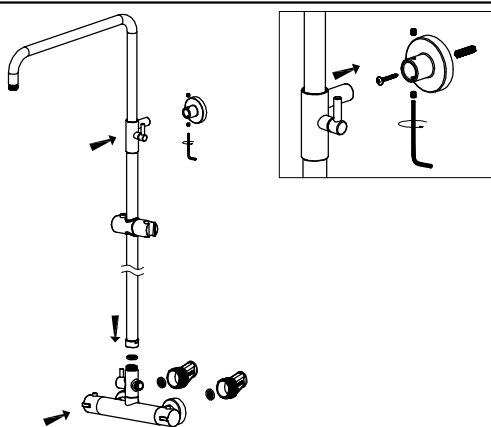
Adjust the position of the two bended connectors to be horizontal, and make sure the center distance to be 150mm.

4



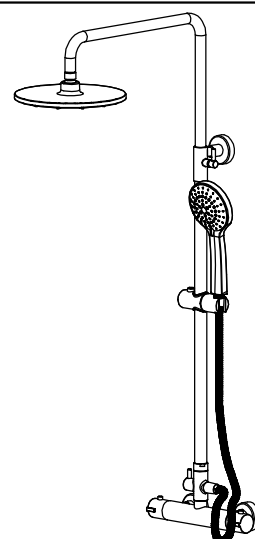
Install the flange to the bended connector, put the flat washer in the inlet hole. Lock the female screw to tight the mixer body.

5



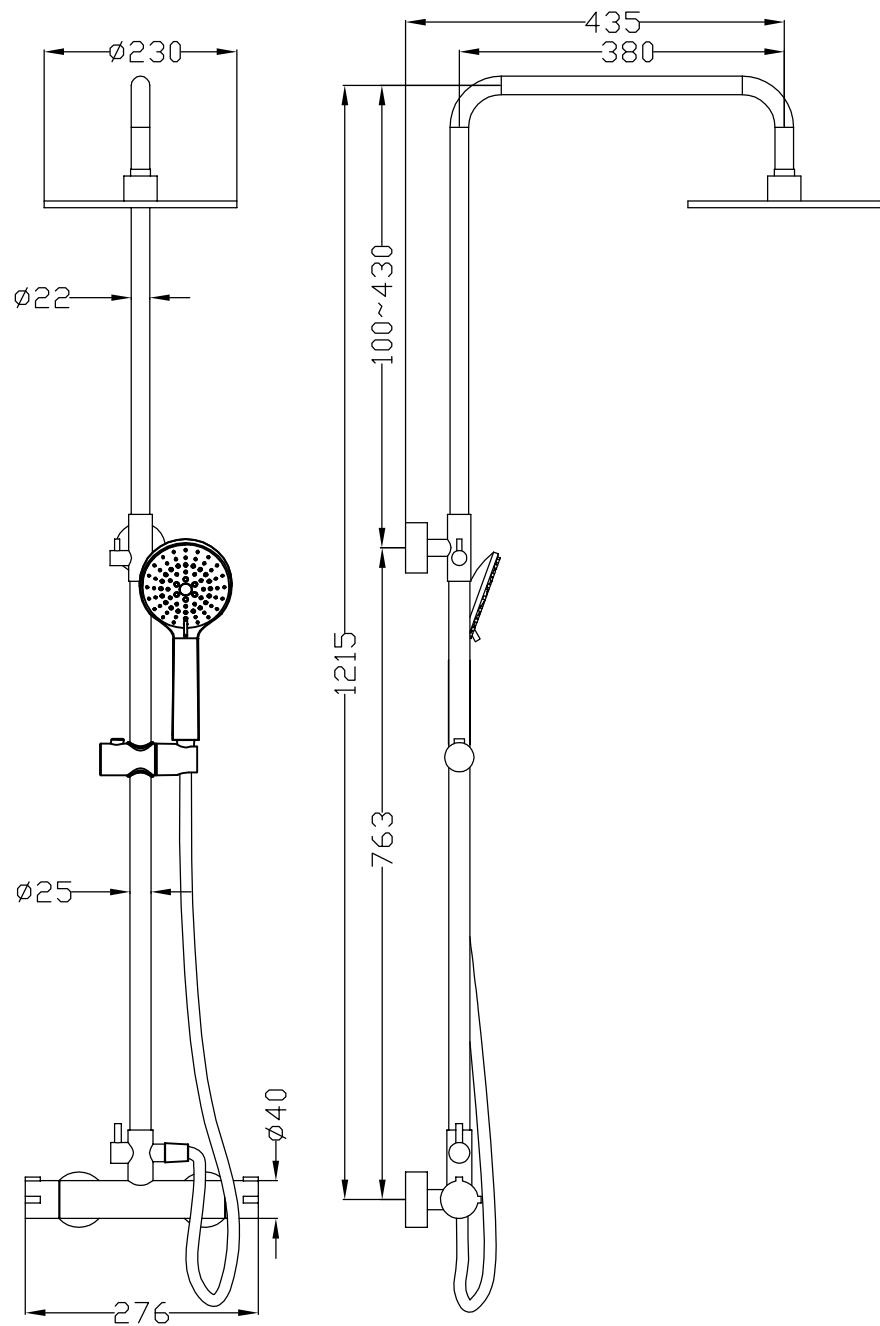
Adjust the straight pipe and connected to the mixer body, then lock the female screw tightly. And connect to the fixing plate. Tighten the grub to the fixing plate. Tighten the grub screw with the allen key.

6



Install the head shower and the hand shower with the hose.

Dimension



Cleaning and care

Our Kitchen and bathroom products are made of solid brass to comply with the needs of the market with regard to design and functionality. To avoid damage to the product, it is necessary to take proper care of it.

Clean the faucet often with a soft cloth to keep it looking like new. For heavy cleaning you can use mild liquid detergents or non-abrasive liquid polisher. Rinse with water and dry with a soft cloth. Avoid abrasive, steel wool and harsh chemicals as these will dull the finish and void your warranty.