



WALL CONNECTION ELBOWS



DOMESTIC



HOTEL & LEISURE

PRODUCT INFORMATION

ME0002

Round wall connection elbow

SQ0001

Square wall connection elbow

MATERIAL

Brass

COLOUR/FINISH

Chrome

APPROVALS

This product should be fitted in accordance with relevant *Water Byelaw Regulations*

FIXING

Wall mounted using fittings provided

(do not overtighten)

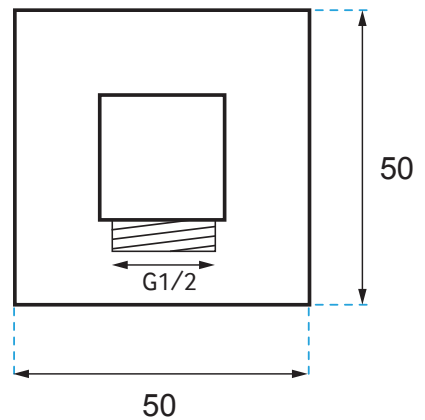
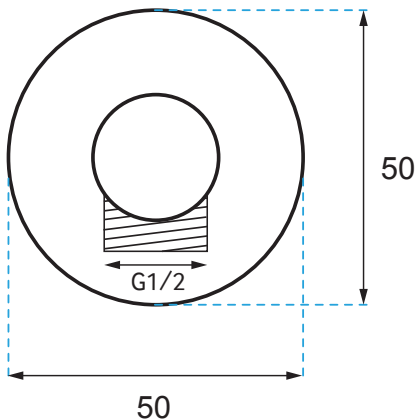
PRODUCT DIMENSIONS

Please refer to technical line drawing

ADDITIONAL INFORMATION

Suitable for the following plumbing systems:
Gravity fed, pumped, unvented or combi systems.

For a full range of brassware products please refer to www.sonasbathrooms.com



WARRANTY

- **5 year** warranty on taps applies to chrome finish and main body of products. All surfaces must be cleaned with warm soapy water and dried with soft cloths only. The use of abrasive cleaners or materials will render warranty invalid. Flexible tail connections, hoses, handsets and faucets are covered by a 2 year guarantee.
- **Do not over tighten flexible tail** connections as this may result in later failure of the fitting.
- To enable each supply to be individually isolated product should be fitted with individual isolating valves, claims will be dealt with on that basis.
- Suitable access should be provided for in order for products or parts to be replaced under warranty. In the event that no access is provided, labour cost claims cannot be upheld.