

ELIZABETH EXPOSED THERMOSTATIC SHOWER VALVE



PRODUCT INFORMATION

ET1201

Elizabeth dual control exposed thermostatic shower valve

SPECIFICATIONS

Minimum inlet pressure 0.5 bar
Maximum inlet pressure 10.0 bar
Max inlet temperature 65°C

MATERIAL

Brass

**COLOUR/FINISH
FIXING**

Chrome

Frame to hold plaster board and secure anchor for pipe bracket

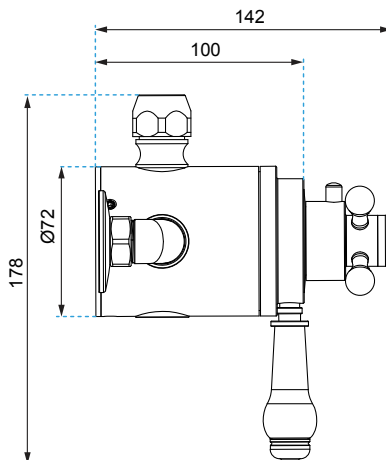
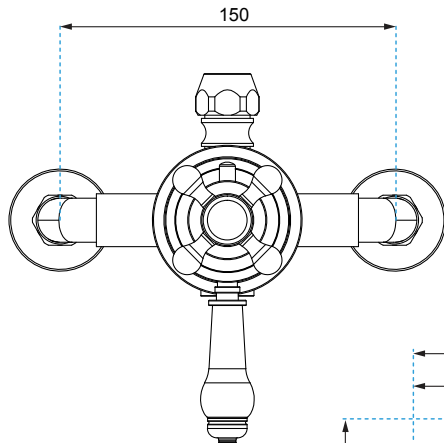
PRODUCT DIMENSIONS

Please refer to technical line drawing

ADDITIONAL INFORMATION

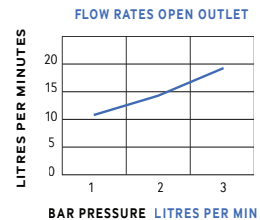
Suitable for the following plumbing systems:
Gravity fed, pumped, unvented or combi systems.

For a full range of brassware products please refer to www.sonasbathrooms.com



OPEN OUTLET

BAR	LITRES PER MIN
1	11
2	14.4
3	19



WARRANTY

- 5 year warranty on taps applies to chrome finish and main body of products. All surfaces must be cleaned with warm soapy water and dried with soft cloths only. The use of abrasive cleaners or materials will render warranty invalid. Flexible tail connections, hoses, handsets and faucets are covered by a 2 year guarantee.
- Do not over tighten flexible tail connections as this may result in later failure of the fitting.
- To enable each supply to be individually isolated product should be fitted with individual isolating valves, claims will be dealt with on that basis.
- Suitable access should be provided for in order for products or parts to be replaced under warranty. In the event that no access is provided, labour cost claims cannot be upheld.