



BALI HTM64 SLOP HOPPER



APPROVED



HEALTHCARE



HTM64



COMMERCIAL

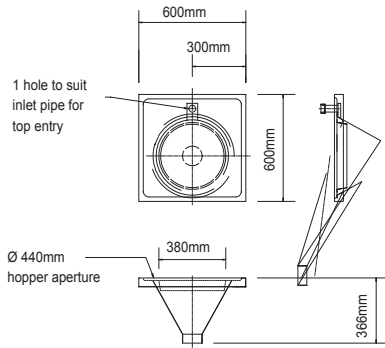
PRODUCT INFORMATION

HS0660B110

Bali back entry slop hopper with 110mm outlets

HS0660T110

Bali top entry slop hopper with 110mm outlets



OPTIONS

SHLG0600SH

Stainless steel legs

CISTERN-L

Stainless steel cistern lever flush top entry

FALLPIPE

Connecting pipe

SHB0600L

Left hand cantilever wall bracket

SHB0600R

Right hand cantilever wall bracket

HT110PP

Polypropylene P trap

SF2301CP

Sola bib tap lever (crosshead also available)

SF2704CP

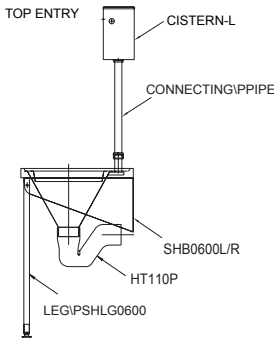
6" long levers (pair)

ID0063

100mm Wall extensions

ID0061

Bib tap wall elbows



RELATED PRODUCTS

OHXCFH14CP

FOR BACK INLET

Concealed high level plastic cistern & lever

CF3067CP

High level adaptor kit CP lever

CF6217WH

Flushpipe, plastic

RELATED PRODUCTS

CCR02WHT

TOP ENTRY

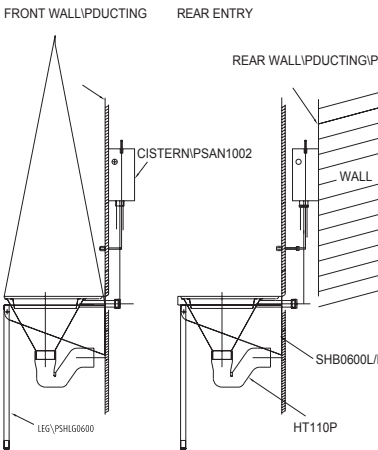
Rhino cistern and fittings assembly SDO plastic

OHXDFP1300

Flushpipe clip

OHXDFP10WH

Flushpipe



MATERIAL

304 Grade Stainless Steel

FINISH

Polished

MAKE

PLAND Stainless

STEEL THICKNESS

1.2mm

APPROVALS

HTM64 Compliant

PRODUCT DIMENSIONS

W600 x D600 x H366mm

ADDITIONAL INFORMATION

Wall mounted solid and liquid waste disposal unit with continuous flushing rim and hinged bucket grating. Supplied with sound deadening pads and earth tag. Also available without grid.

